

NOTES:

1. ALL DIMENSIONS ARE TO BE VERIFIED IN FIELD;
2. HEIGHTS MAY VARY ALONG FLOOR BASED ON FIELD CONDITION.
3. G.C. TO PROVIDE BLOCKING AT ALL THE WALL/HEADER WHERE POST/TRACK EXISTS;
4. GLASS TYPES:  
 THICKNESS: 3/8", 1/2", 5/8"  
 CLEAR TEMPERED  
 LOW IRON TEMPERED  
 CLEAR LAMINATED  
 ACOUSTIC LAMINATED  
 LOW IRON LAMINATED
5. FINISHES:  
 CLEAR ANODIZED  
 BLACK ANODIZED  
 POWDER COAT  
 BRUSHED SATIN  
 MEDIUM BRONZE
6. STD LEAD TIME: 3-5 WEEKS
7. CONTACT: [info@tagwallny.com](mailto:info@tagwallny.com)  
[estimating@tagwallny.com](mailto:estimating@tagwallny.com)

**TAGWALL**

321 W. 44TH ST, SUITE 200 NY, NY 10036  
 212.354.9255 tagwallny.com

PROJECT:

**SLIMLINE SYSTEM**

DATE: 11/24/2020

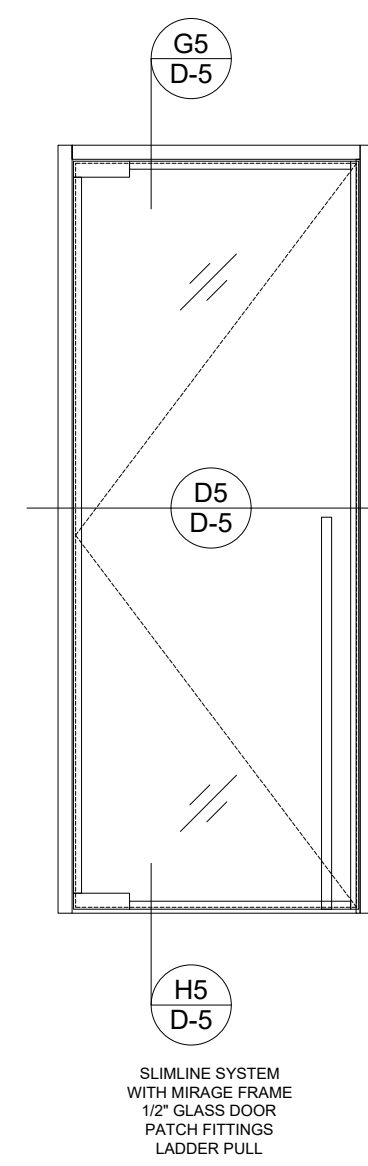
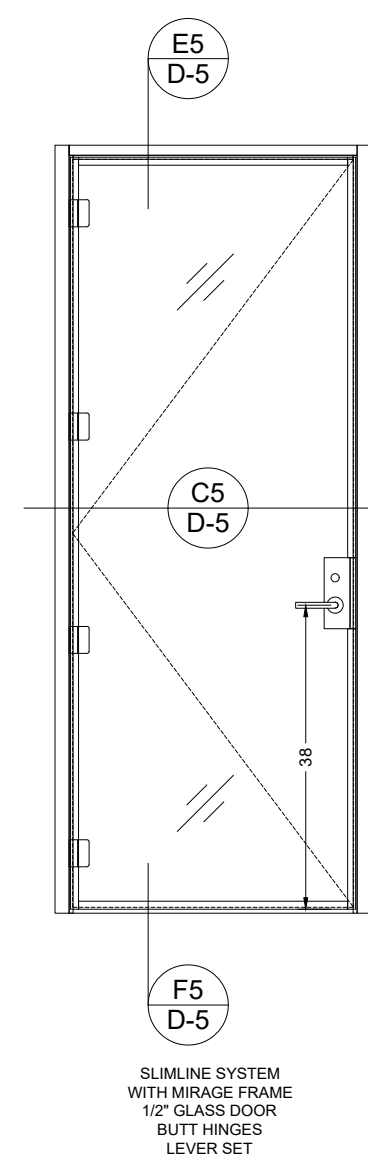
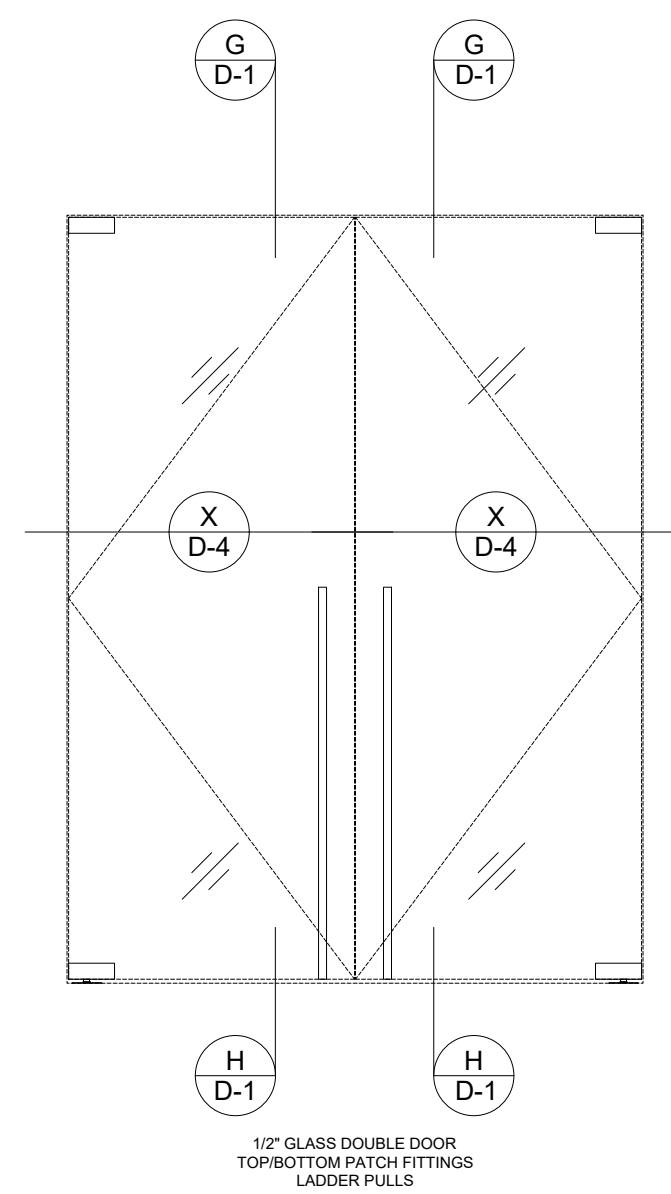
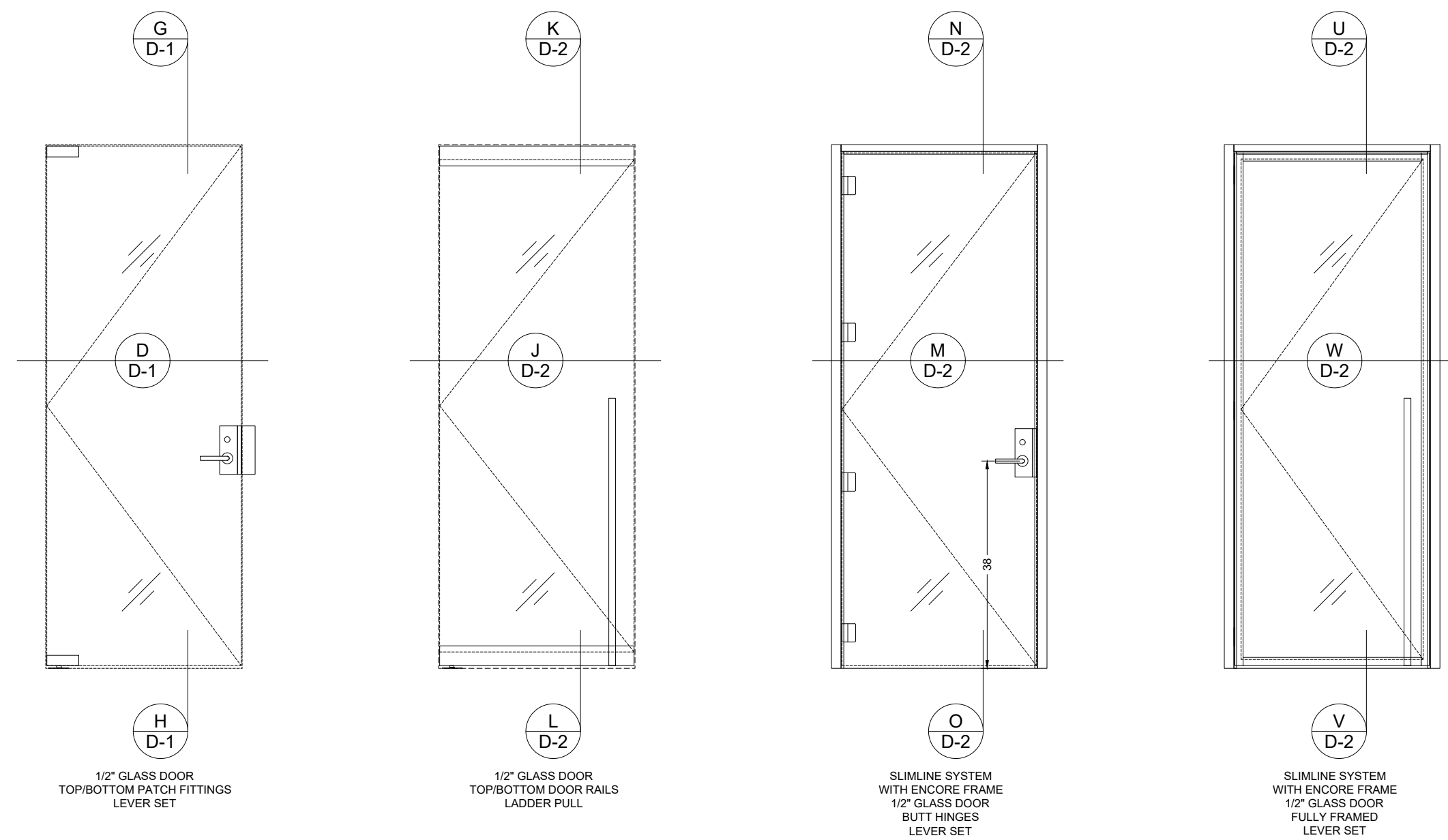
SCALE: 1/2" = 1'-0"

DRAWING No.

DRAWING TITLE:

ELEVATIONS

**E-1**



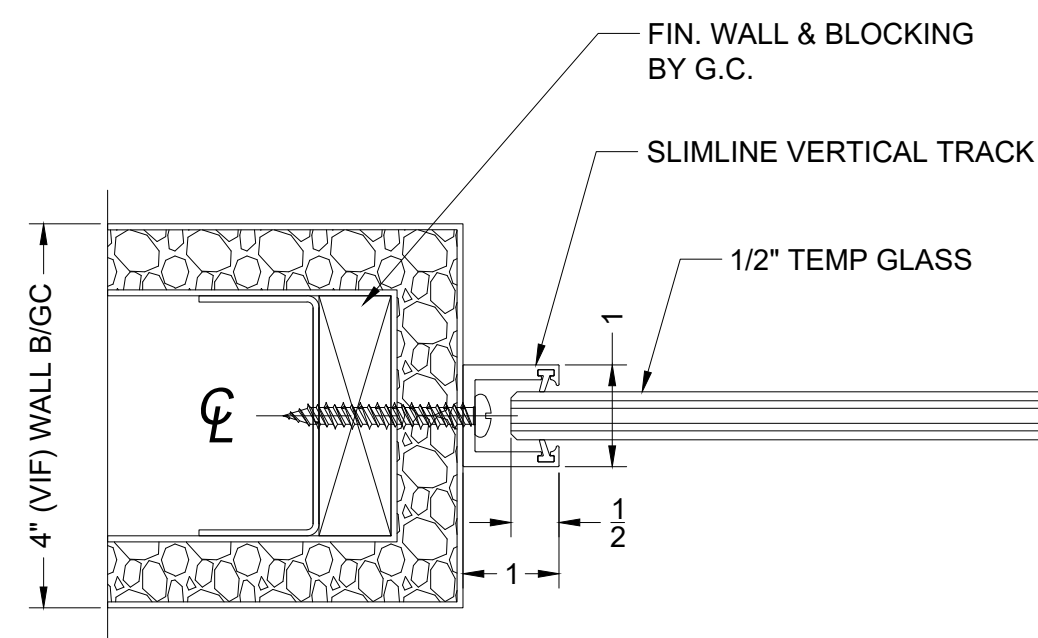
- NOTES:
1. ALL DIMENSIONS ARE TO BE VERIFIED IN FIELD;
  2. HEIGHTS MAY VARY ALONG FLOOR BASED ON FIELD CONDITION.
  3. G.C. TO PROVIDE BLOCKING AT ALL THE WALL/HEADER WHERE POST/TRACK EXISTS;
  4. GLASS TYPES:  
THICKNESS:  $\frac{3}{8}$ " ,  $\frac{1}{2}$ " ,  $\frac{5}{8}$ "  
CLEAR TEMPERED  
LOW IRON TEMPERED  
CLEAR LAMINATED  
ACOUSTIC LAMINATED  
LOW IRON LAMINATED
  5. FINISHES:  
CLEAR ANODIZED  
BLACK ANODIZED  
POWDER COAT  
BRUSHED SATIN  
MEDIUM BRONZE
  6. STD LEAD TIME: 3-5 WEEKS
  7. CONTACT: [info@tagwallny.com](mailto:info@tagwallny.com)  
[estimating@tagwallny.com](mailto:estimating@tagwallny.com)

# TAGWALL

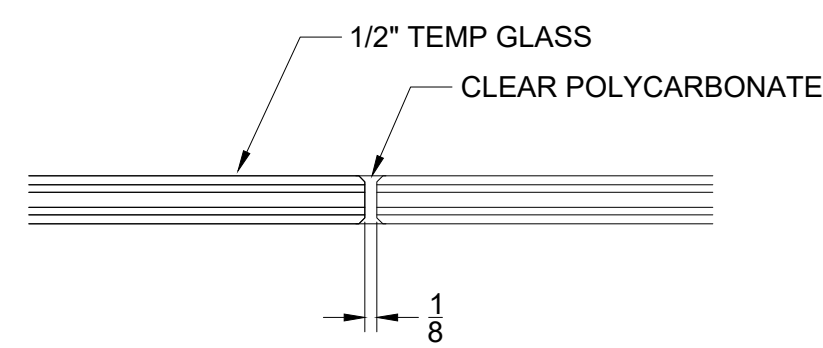
321 W. 44TH ST, SUITE 200 NY, NY 10036  
212.354.9255 tagwallny.com

PROJECT:  
**SLIMLINE SYSTEM**

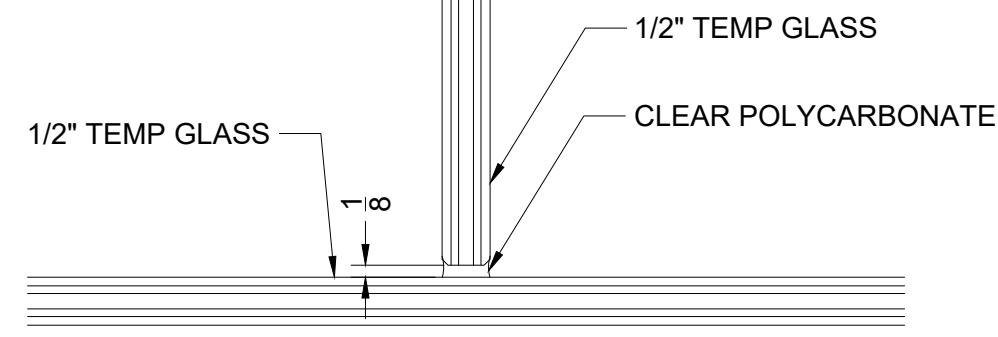
DATE: 11/24/2020	SCALE: 1/2" = 1'-0"	DRAWING No.
DRAWING TITLE: ELEVATIONS		<b>E-2</b>



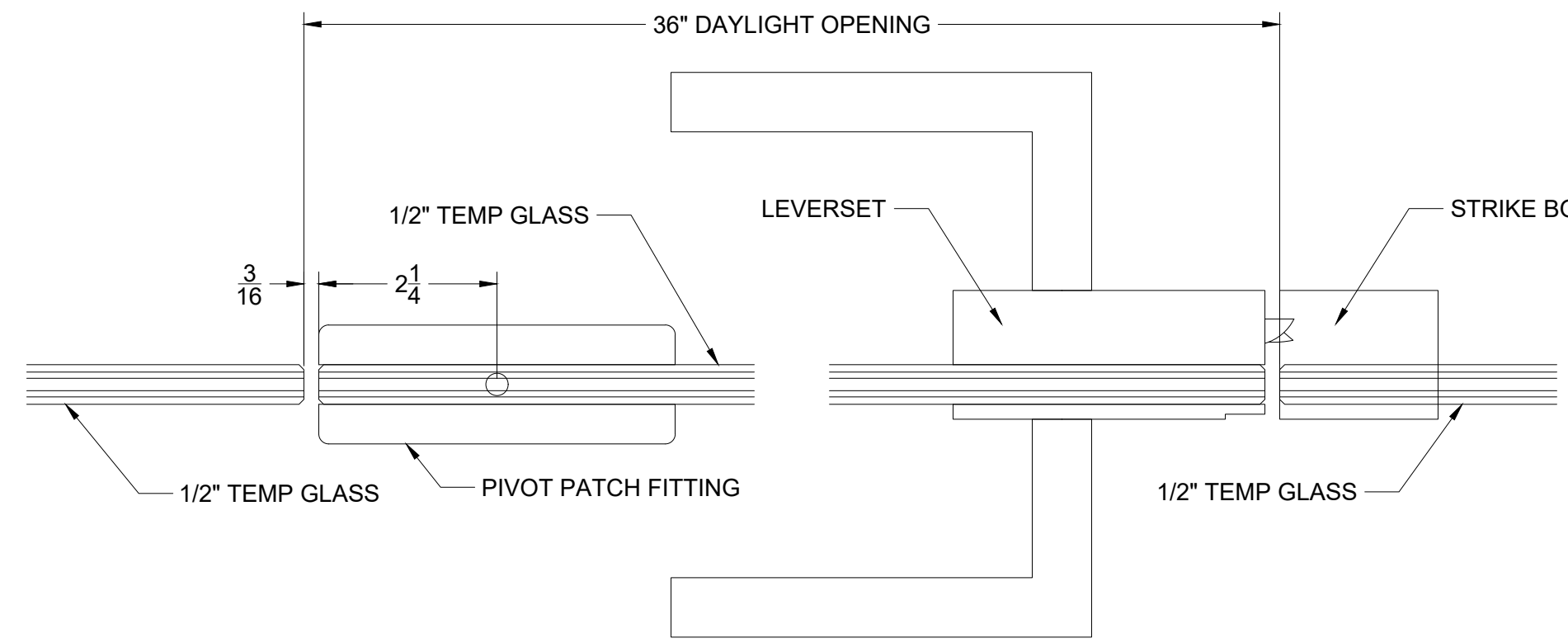
DETAIL@WALL & POST  
6" = 1'-0" **A**



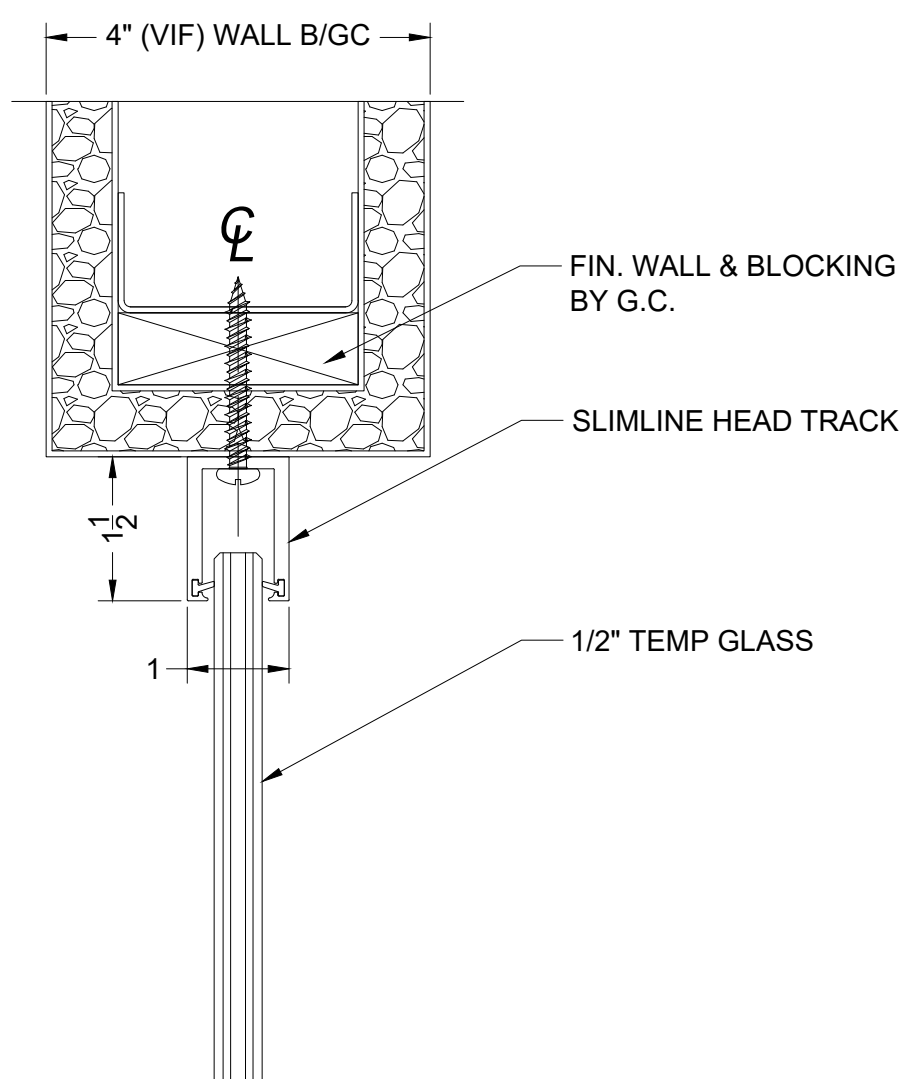
DETAIL @ GLASS JOINT  
6" = 1'-0" **B**



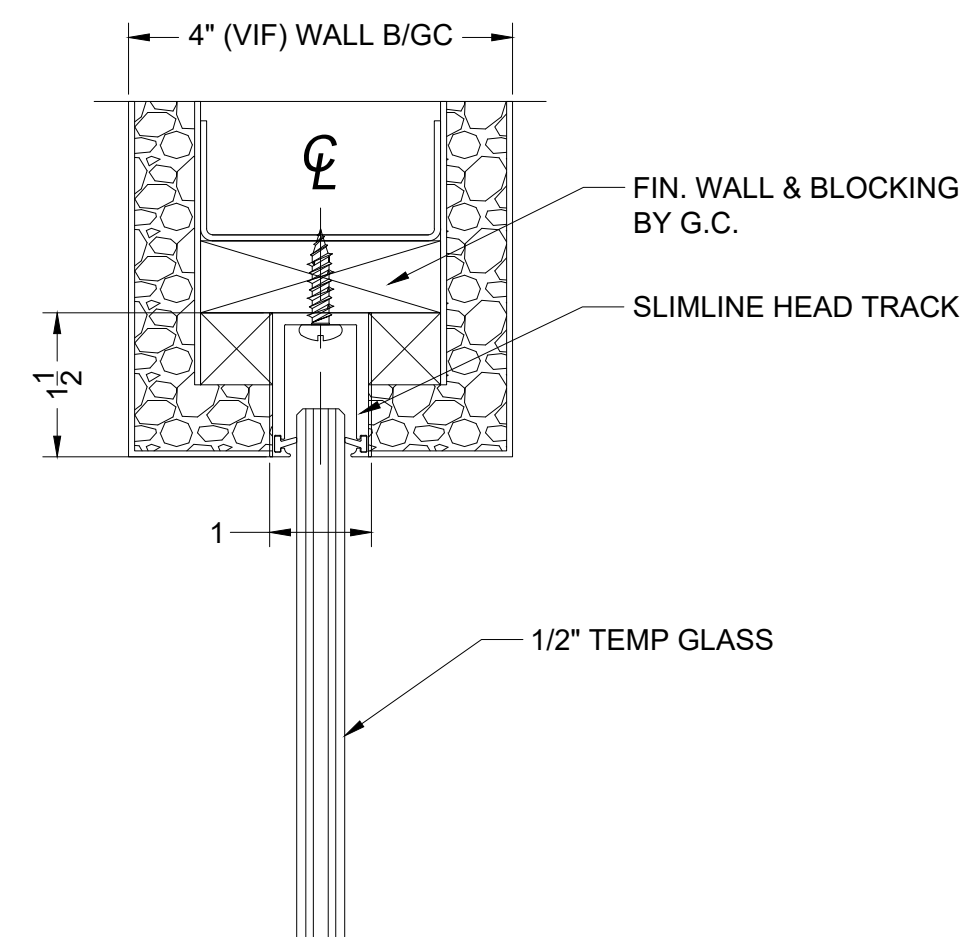
DETAIL @ GLASS JOINT  
6" = 1'-0" **C**



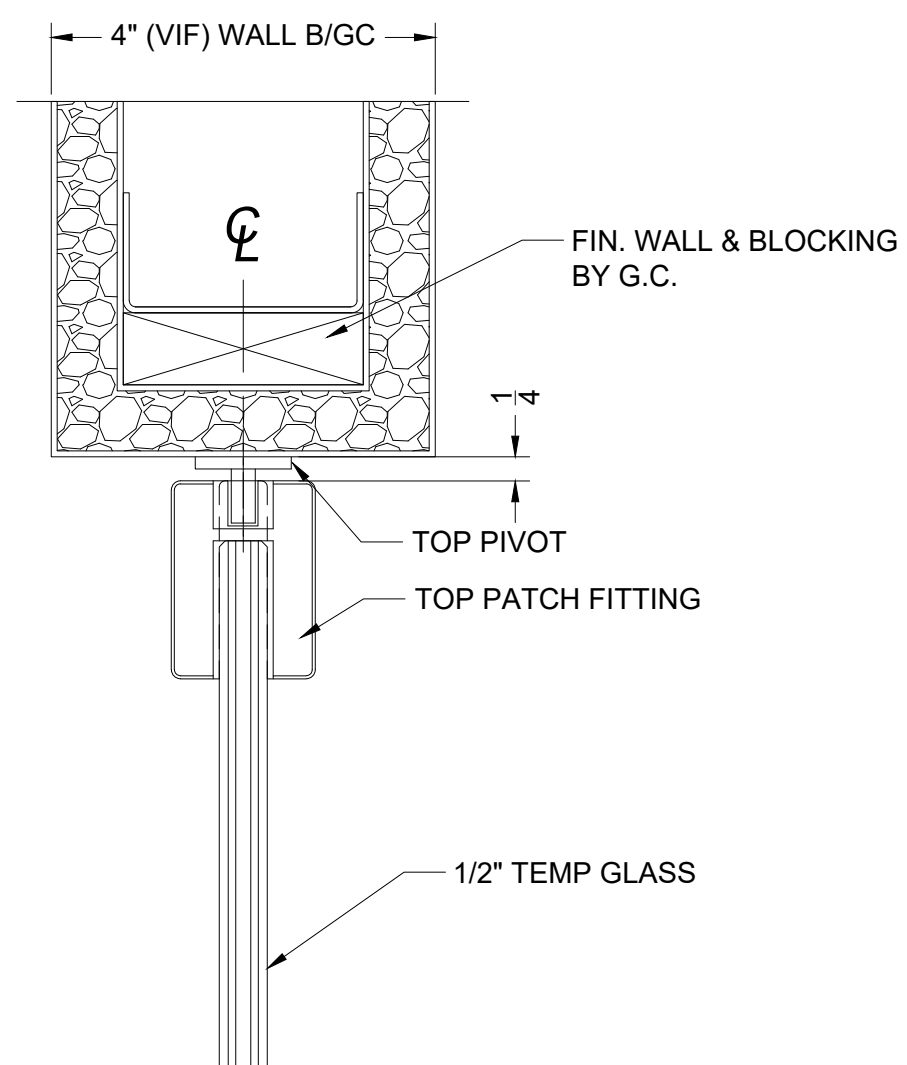
DETAIL @ SLIMLINE GLASS DOOR / PIVOT STRIKE  
6" = 1'-0" **D**



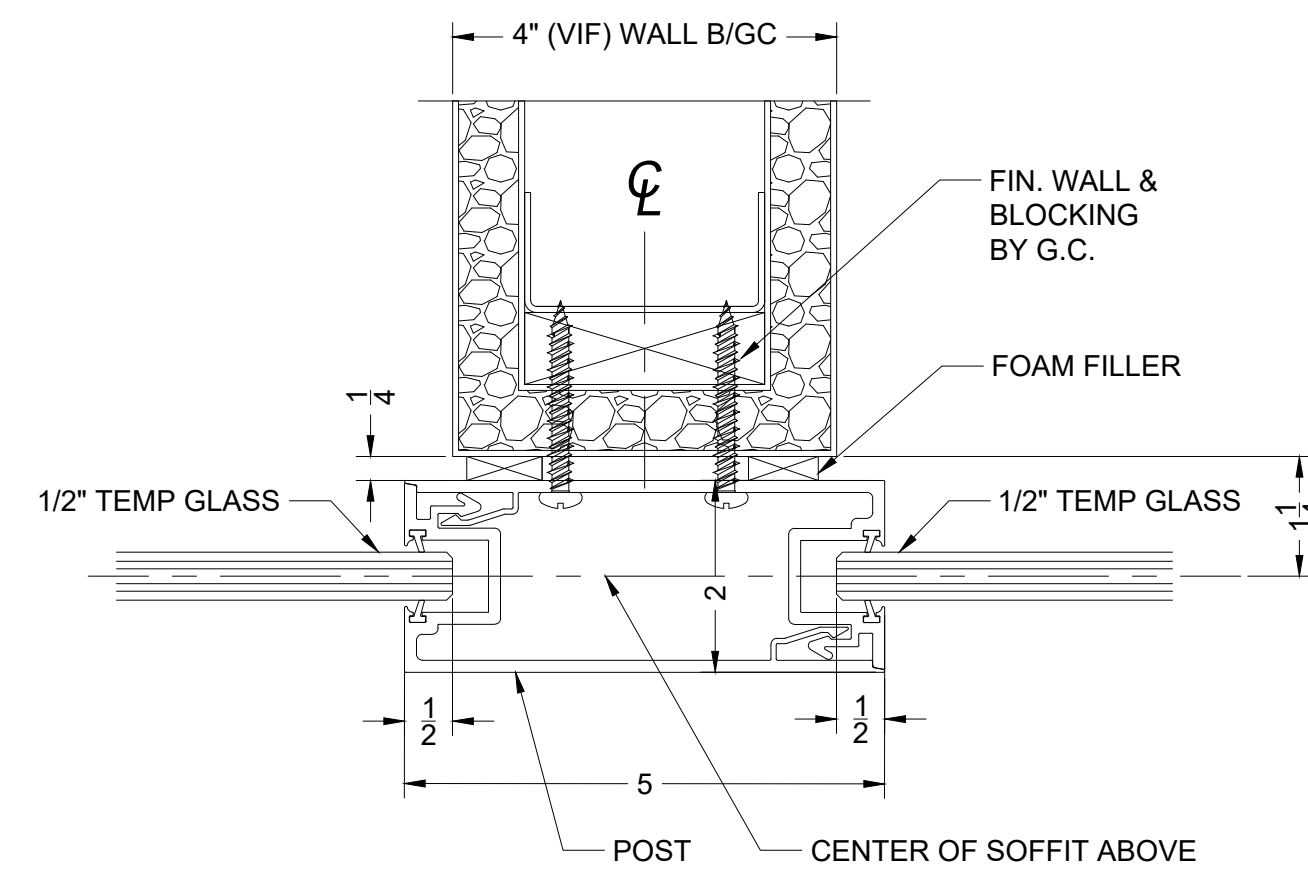
DETAIL @ HEADER TRACK  
6" = 1'-0" **E**



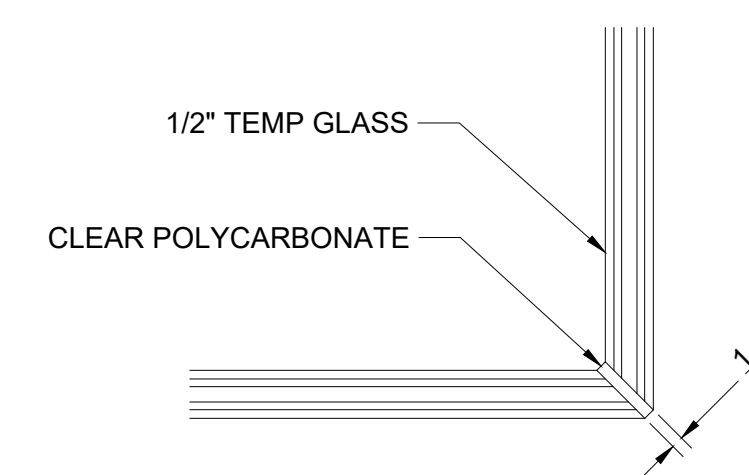
DETAIL @ TOP TRACK  
6" = 1'-0" **E1**



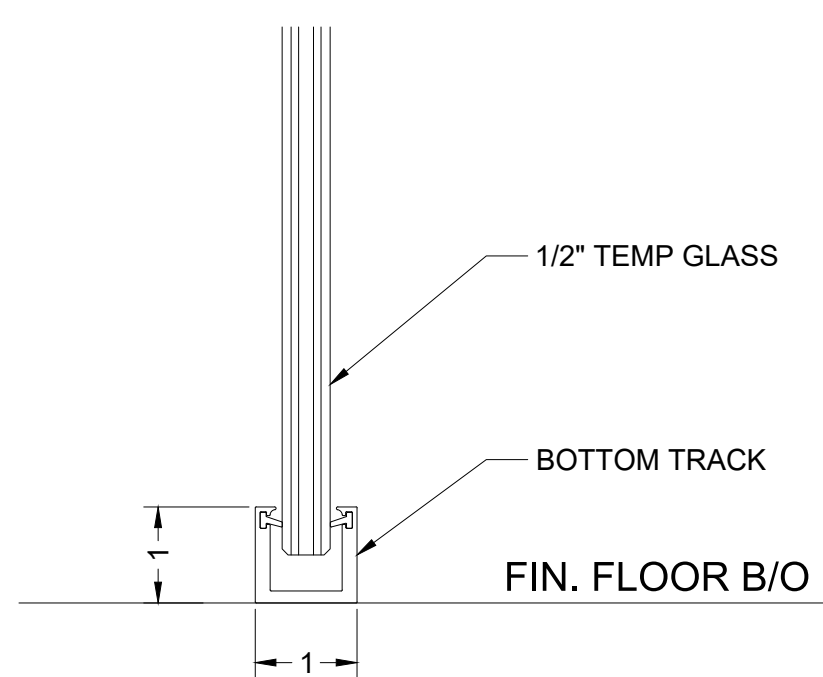
HEAD DETAIL @ SWING DOOR  
6" = 1'-0" **G**



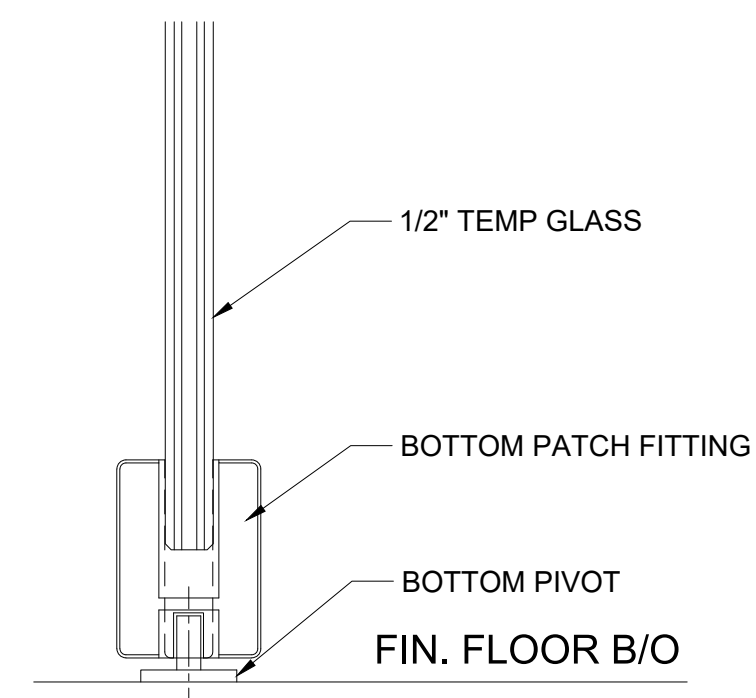
DETAIL@ WALL & POST  
6" = 1'-0" **C1**



DETAIL@GLASS RETURN JOINT  
6" = 1'-0" **C2**



DETIAL @ BOTTOM TRACK  
6" = 1'-0" **F**



BOTTOM PIVOT DETAIL @ SWING DOOR  
6" = 1'-0" **H**

NOTES:

- ALL DIMENSIONS ARE TO BE VERIFIED IN FIELD;
- HEIGHTS MAY VARY ALONG FLOOR BASED ON FIELD CONDITION.
- G.C. TO PROVIDE BLOCKING AT ALL THE WALL/HEADER WHERE POST/TRACK EXISTS;
- GLASS TYPES:  
THICKNESS: 3/8", 1/2", 5/8"  
CLEAR TEMPERED  
LOW IRON TEMPERED  
CLEAR LAMINATED  
ACOUSTIC LAMINATED  
LOW IRON LAMINATED
- FINISHES:  
CLEAR ANODIZED  
BLACK ANODIZED  
POWDER COAT  
BRUSHED SATIN  
MEDIUM BRONZE
- STD LEAD TIME: 3-5 WEEKS
- CONTACT: info@tagwallny.com  
estimating@tagwallny.com

**TAGWALL**

321 W. 44TH ST, SUITE 200 NY, NY 10036  
212.354.9255 tagwallny.com

PROJECT:

**SLIMLINE SYSTEM**

DATE: 11/24/2020

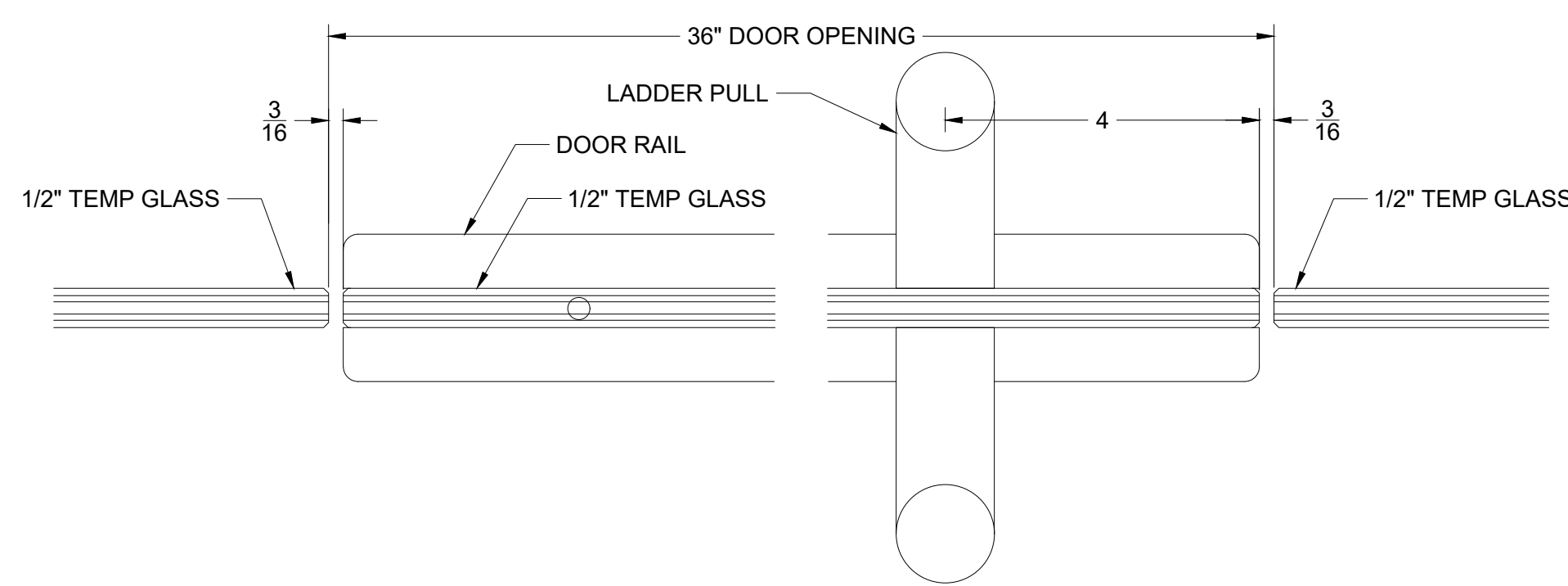
SCALE: 6" = 1'-0"

DRAWING No.

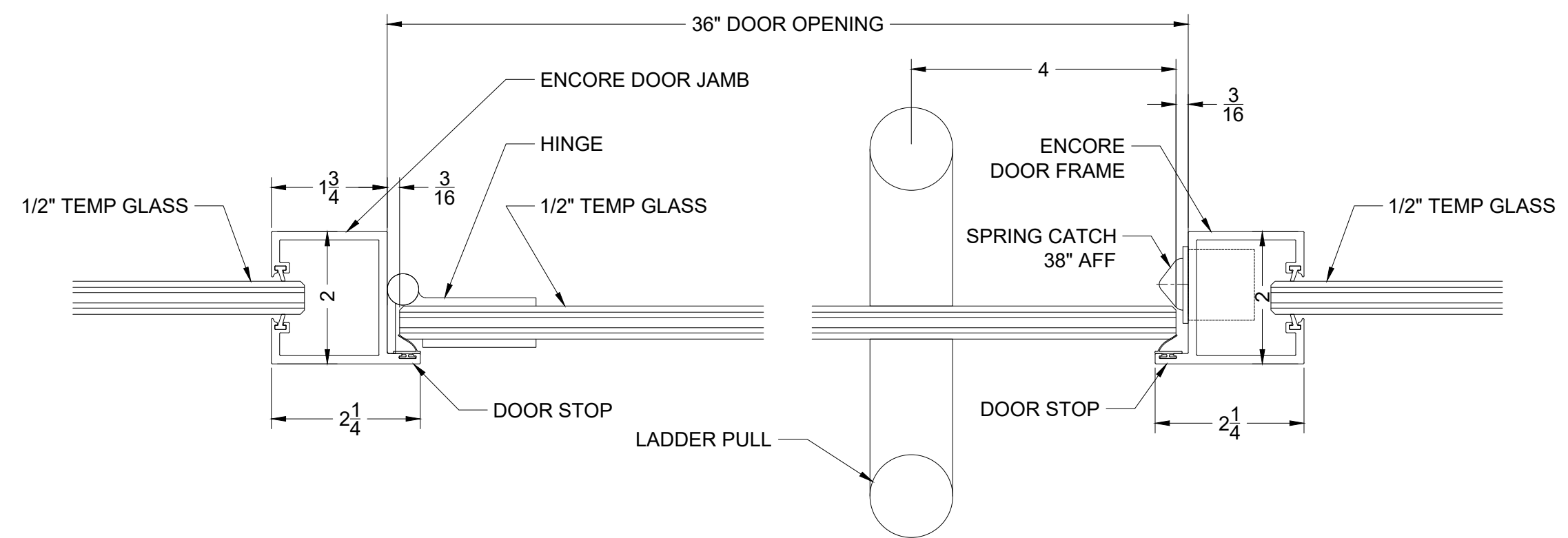
DRAWING TITLE:

DETAILS

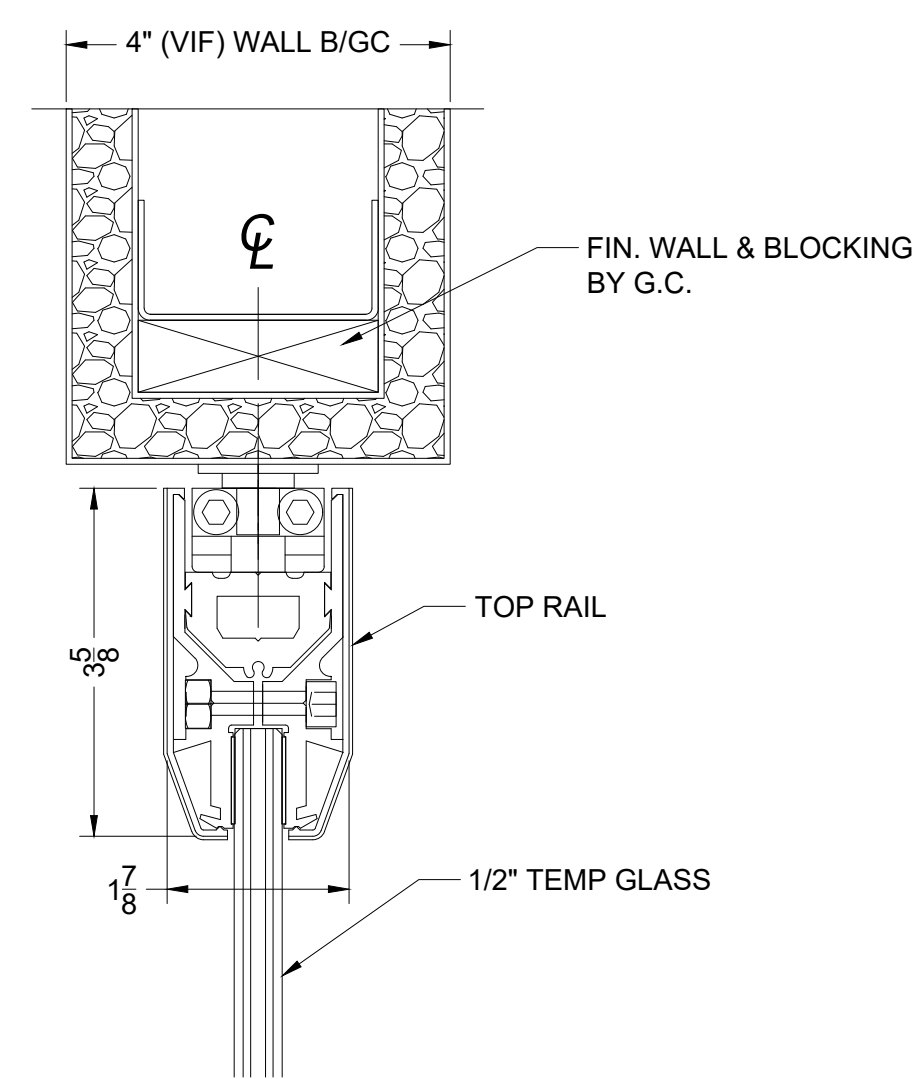
**D-1**



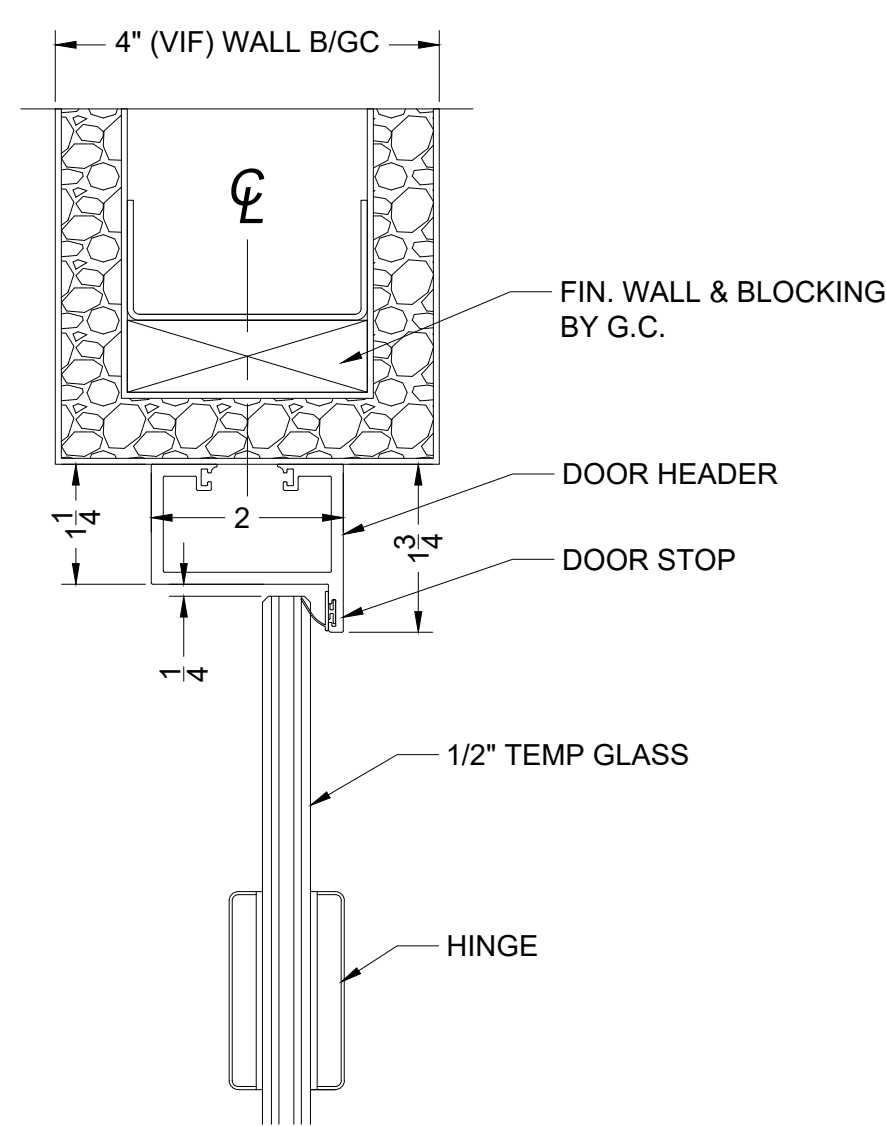
DETAIL @ ENCORE RAIL GLASS DOOR **J**  
6" = 1'-0"



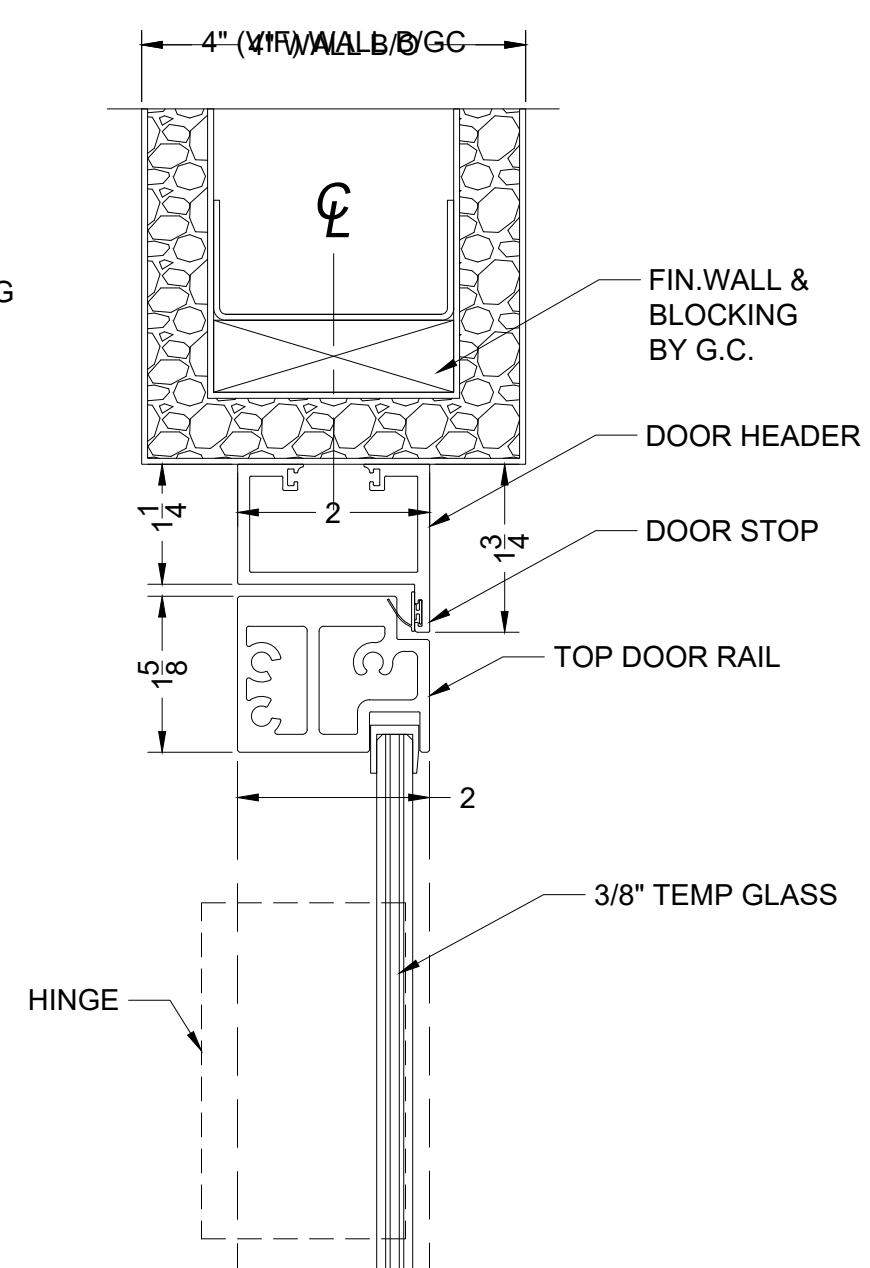
DETAIL @ ENCORE HINGE SWING DOOR **M**  
6" = 1'-0"



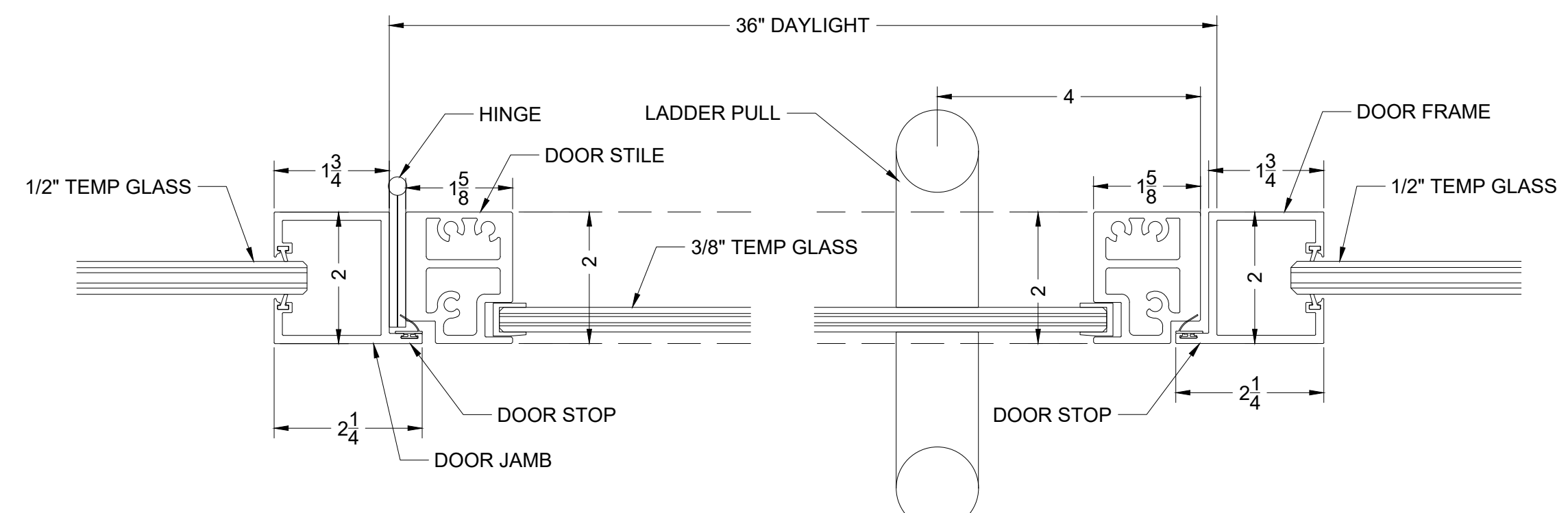
HEAD DETAIL @ SWING DOOR **K**  
6" = 1'-0"



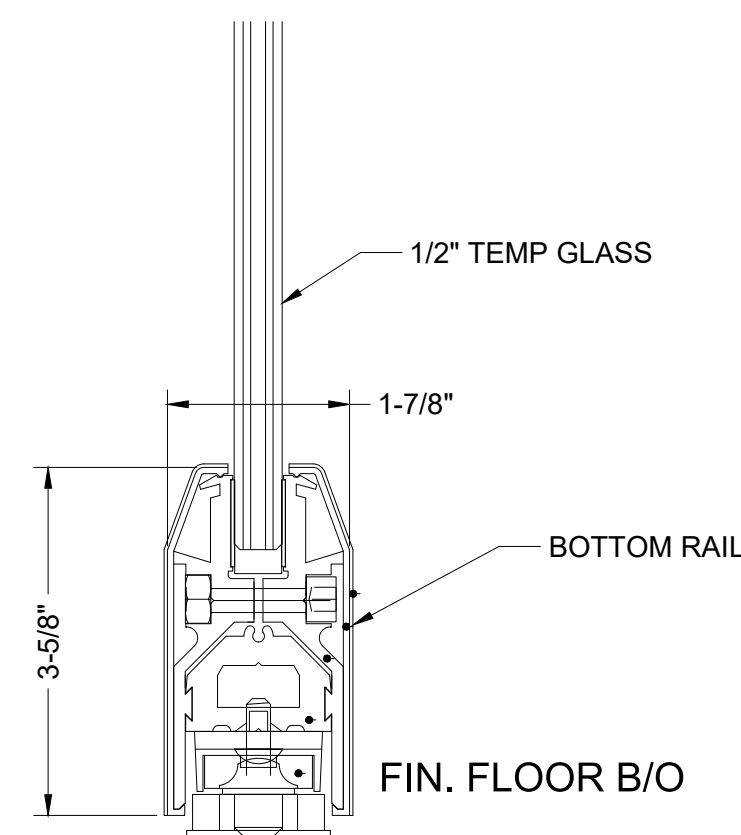
HEAD DETAIL @ SWING DOOR **N**  
6" = 1'-0"



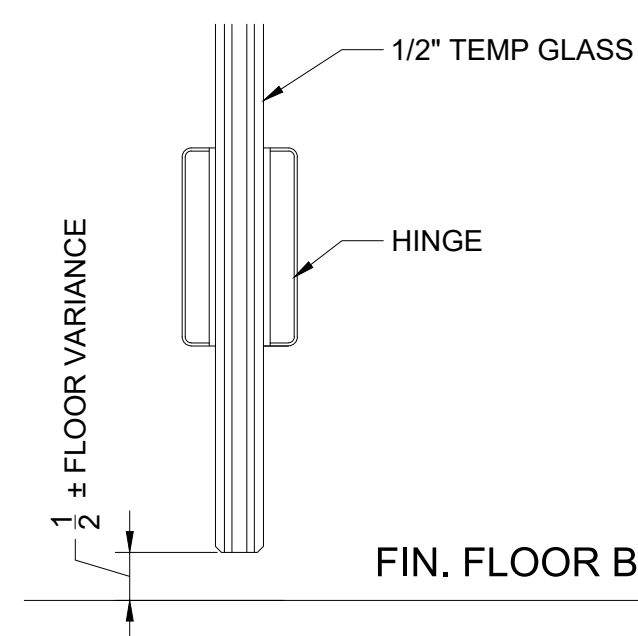
HEAD DETAIL @ FRAMED SWING DOOR **U**  
6" = 1'-0"



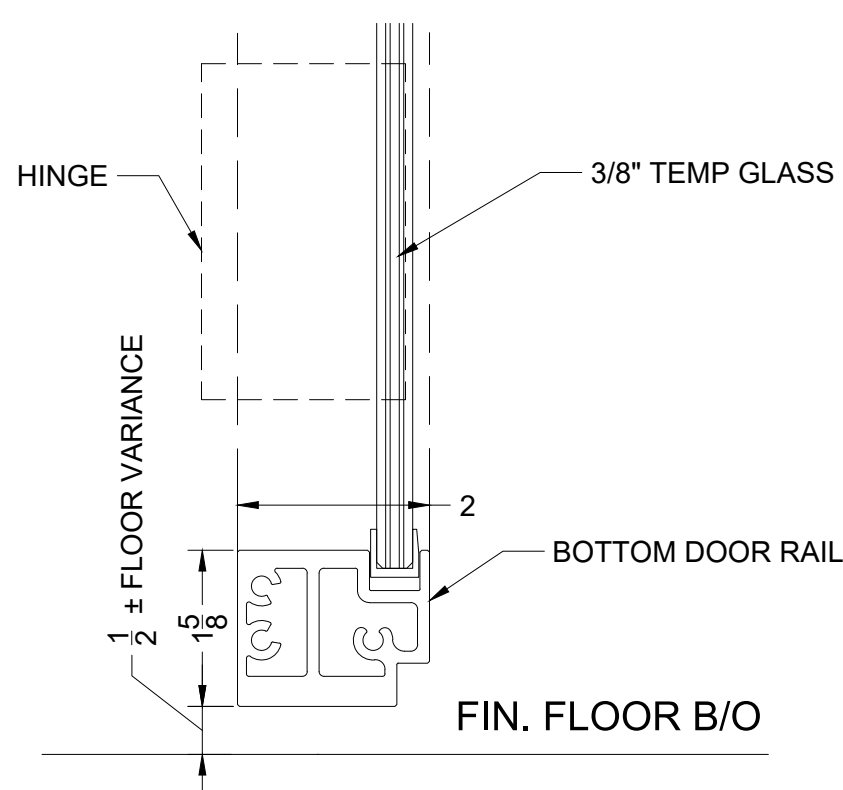
DETAIL @ FRAMED DOOR **W**  
6" = 1'-0"



BOTTOM DETAIL @ RAIL DOOR **L**  
6" = 1'-0"



BOTTOM DETAIL @ SWING DOOR **O**  
6" = 1'-0"



BOTTOM DETAIL @ FRAMED SWING DOOR **V**  
6" = 1'-0"

NOTES:

- ALL DIMENSIONS ARE TO BE VERIFIED IN FIELD;
- HEIGHTS MAY VARY ALONG FLOOR BASED ON FIELD CONDITION.
- G.C. TO PROVIDE BLOCKING AT ALL THE WALL/HEADER WHERE POST/TRACK EXISTS;
- GLASS TYPES:  
THICKNESS: 3/8", 1/2", 5/8"  
CLEAR TEMPERED  
LOW IRON TEMPERED  
CLEAR LAMINATED  
ACOUSTIC LAMINATED  
LOW IRON LAMINATED
- FINISHES:  
CLEAR ANODIZED  
BLACK ANODIZED  
POWDER COAT  
BRUSHED SATIN  
MEDIUM BRONZE
- STD LEAD TIME: 3-5 WEEKS
- CONTACT: info@tagwallny.com  
estimating@tagwallny.com

**TAGWALL**

321 W. 44TH ST, SUITE 200 NY, NY 10036  
212.354.9255 tagwallny.com

PROJECT:

**SLIMLINE SYSTEM**

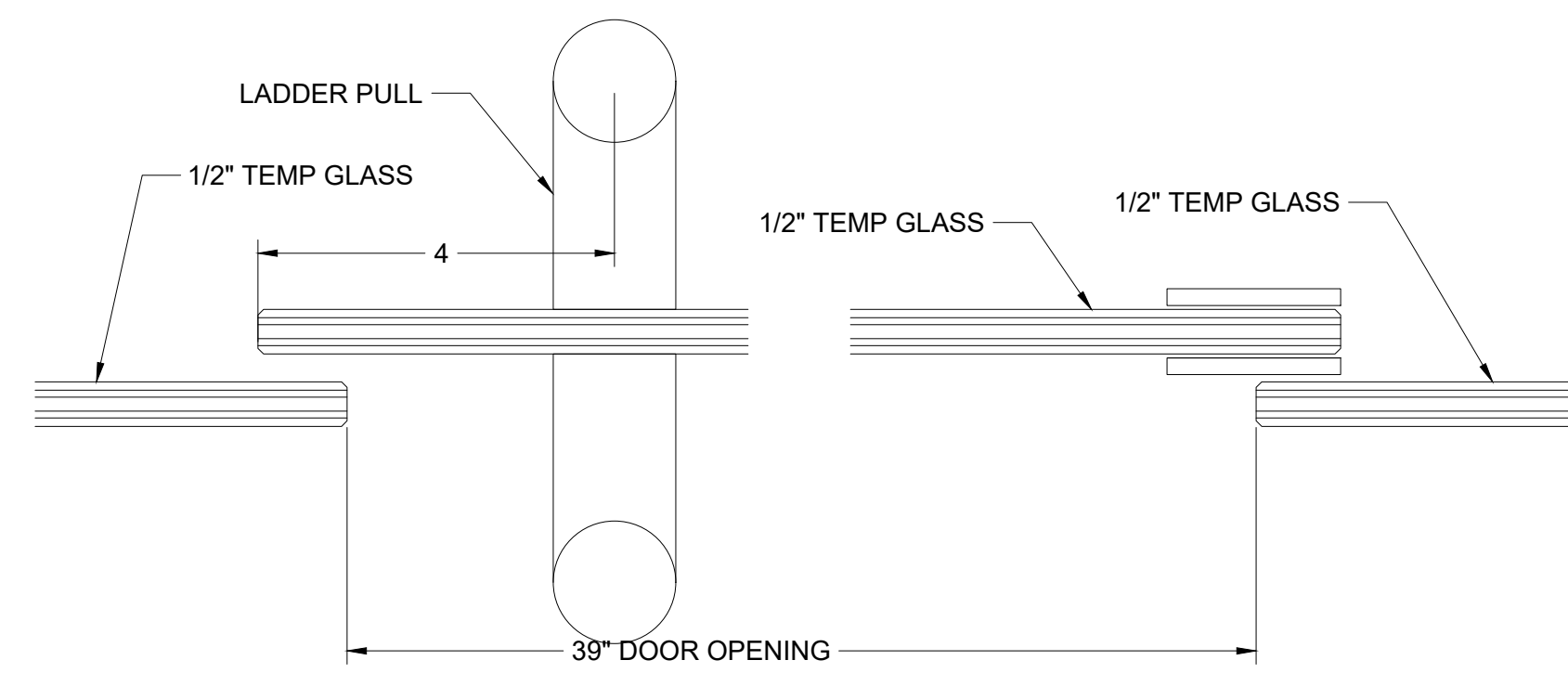
DATE: 11/24/2020

SCALE: 6" = 1'-0"

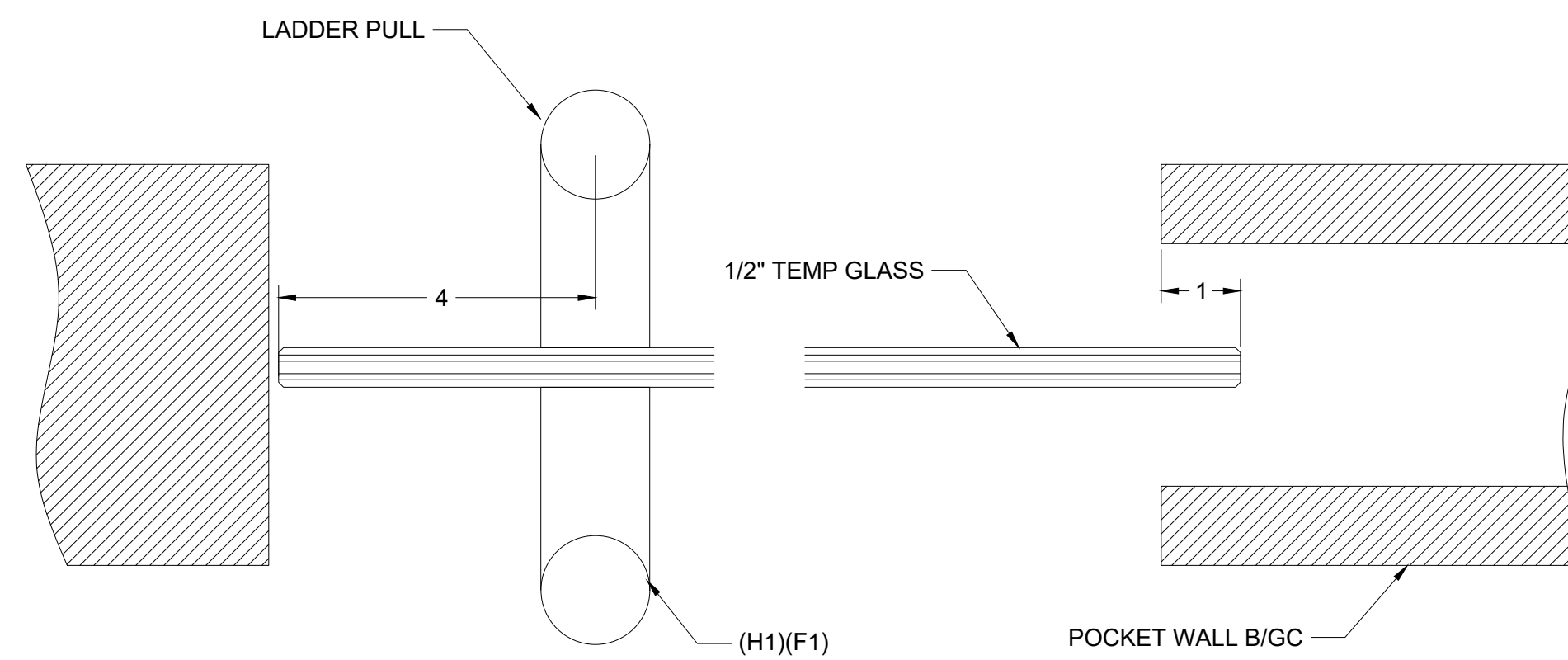
DRAWING No.

DRAWING TITLE:  
**DETAILS**

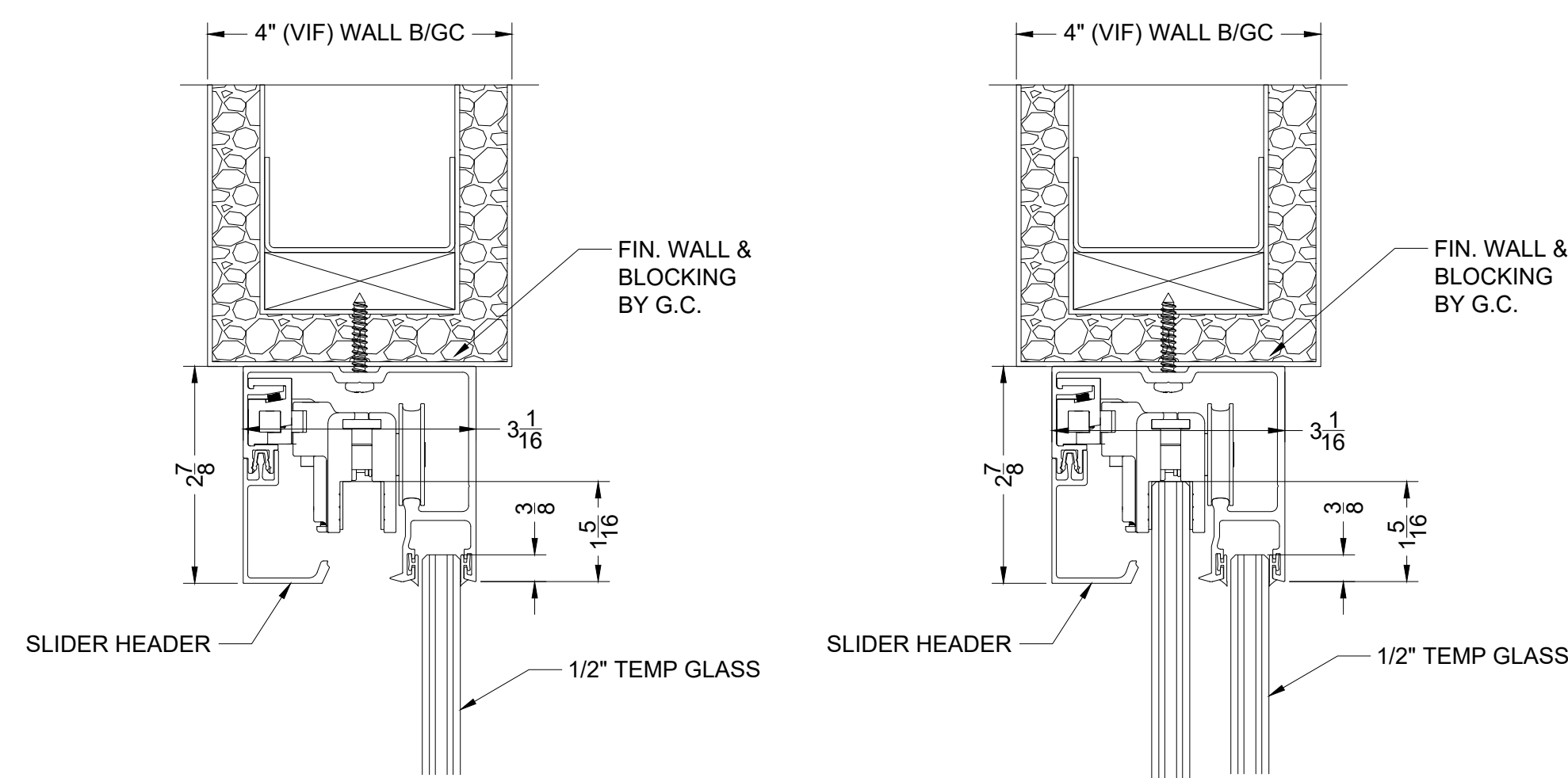
**D-2**



DETAIL @ SLIDING DOOR R  
6" = 1'-0"



DETAIL @ SLIDING DOOR V  
6" = 1'-0"

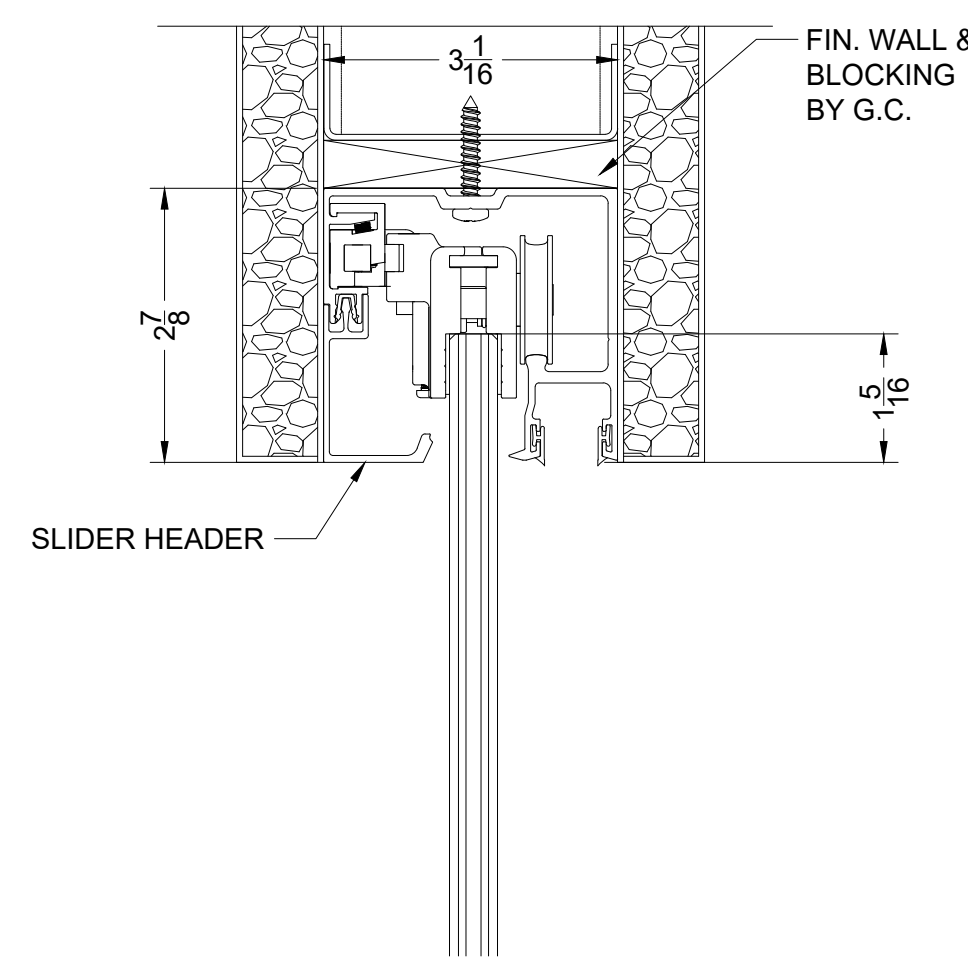


SURFACE MOUNTED HEADER

DETAIL @ HEADER TRACK P  
6" = 1'-0"

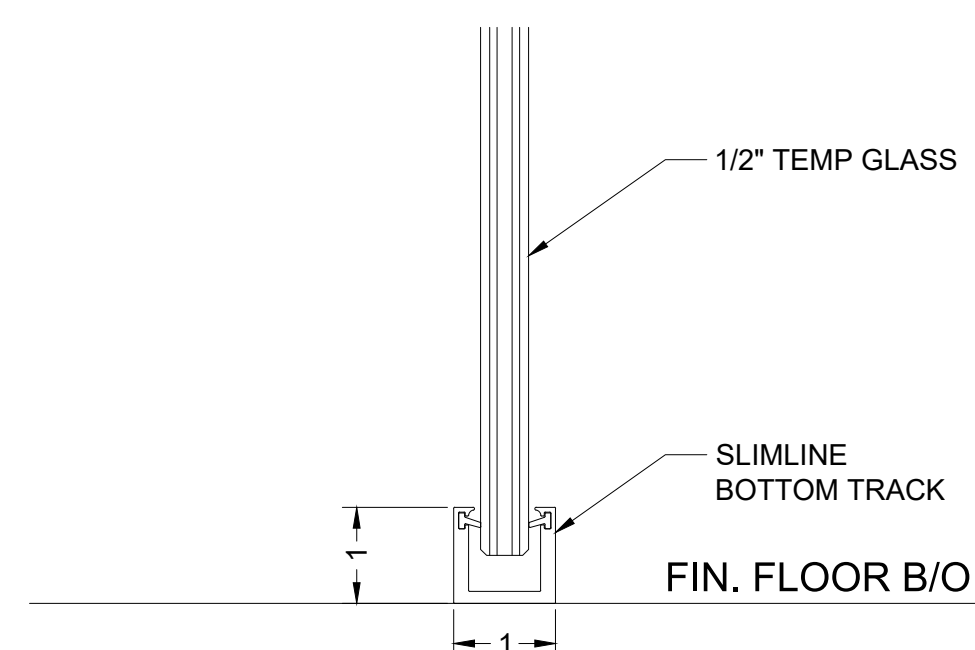
SURFACE MOUNTED HEADER

DETAIL @ DOOR HEADER S  
6" = 1'-0"

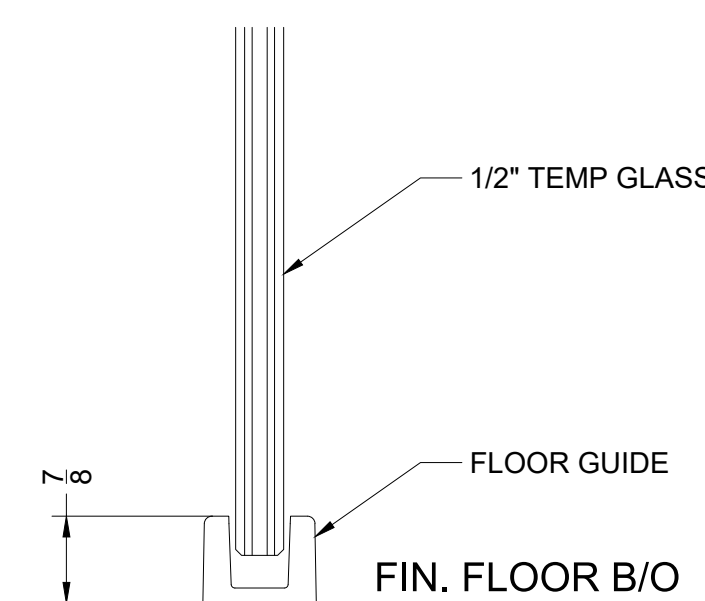


RECESSED HEADER

DETAIL @ DOOR HEADER U  
6" = 1'-0"



DETIAL @ BOTTOM TRACK Q  
6" = 1'-0"



DETIAL @ DOOR BOTTOM T  
6" = 1'-0"

NOTES:

1. ALL DIMENSIONS ARE TO BE VERIFIED IN FIELD;
2. HEIGHTS MAY VARY ALONG FLOOR BASED ON FIELD CONDITION.
3. G.C. TO PROVIDE BLOCKING AT ALL THE WALL/HEADER WHERE POST/TRACK EXISTS;
4. GLASS TYPES:  
THICKNESS: 3/8", 1/2", 5/8"  
CLEAR TEMPERED  
LOW IRON TEMPERED  
CLEAR LAMINATED  
ACOUSTIC LAMINATED  
LOW IRON LAMINATED
5. FINISHES:  
CLEAR ANODIZED  
BLACK ANODIZED  
POWDER COAT  
BRUSHED SATIN  
MEDIUM BRONZE
6. STD LEAD TIME: 3-5 WEEKS
7. CONTACT: info@tagwallny.com  
estimating@tagwallny.com

# TAGWALL

321 W. 44TH ST, SUITE 200 NY, NY 10036  
212.354.9255 tagwallny.com

PROJECT:

## SLIMLINE SYSTEM

DATE: 11/24/2020

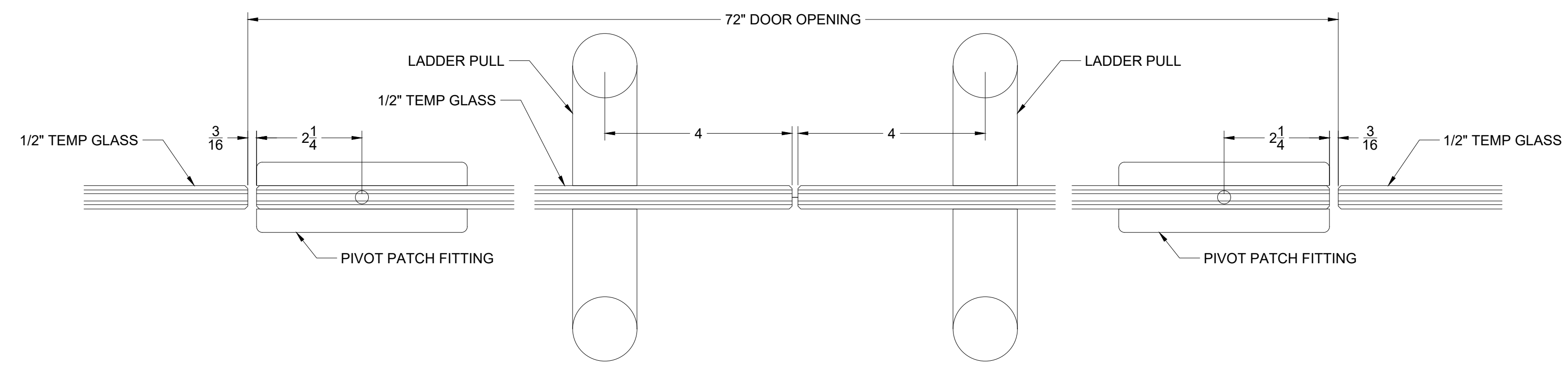
SCALE: 6" = 1'-0"

DRAWING No.

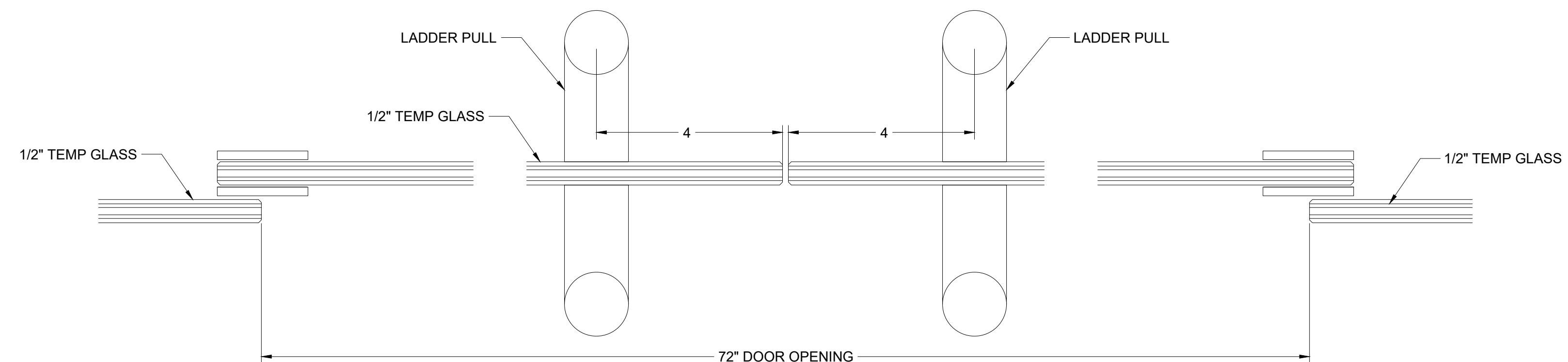
DRAWING TITLE:

DETAILS

D-3



DETAIL @ DOUBLE SWING DOOR X  
6" = 1'-0"



DETAIL @ SLIDING DOOR Y  
6" = 1'-0"

NOTES:

1. ALL DIMENSIONS ARE TO BE VERIFIED IN FIELD;
2. HEIGHTS MAY VARY ALONG FLOOR BASED ON FIELD CONDITION.
3. G.C. TO PROVIDE BLOCKING AT ALL THE WALL/HEADER WHERE POST/TRACK EXISTS;
4. GLASS TYPES:  
THICKNESS: 3/8", 1/2", 5/8"  
CLEAR TEMPERED  
LOW IRON TEMPERED  
CLEAR LAMINATED  
ACOUSTIC LAMINATED  
LOW IRON LAMINATED
5. FINISHES:  
CLEAR ANODIZED  
BLACK ANODIZED  
POWDER COAT  
BRUSHED SATIN  
MEDIUM BRONZE
6. STD LEAD TIME: 3-5 WEEKS
7. CONTACT: [info@tagwallny.com](mailto:info@tagwallny.com)  
[estimating@tagwallny.com](mailto:estimating@tagwallny.com)

# TAGWALL

321 W. 44TH ST, SUITE 200 NY, NY 10036  
212.354.9255 tagwallny.com

PROJECT:

## SLIMLINE SYSTEM

DATE: 11/24/2020

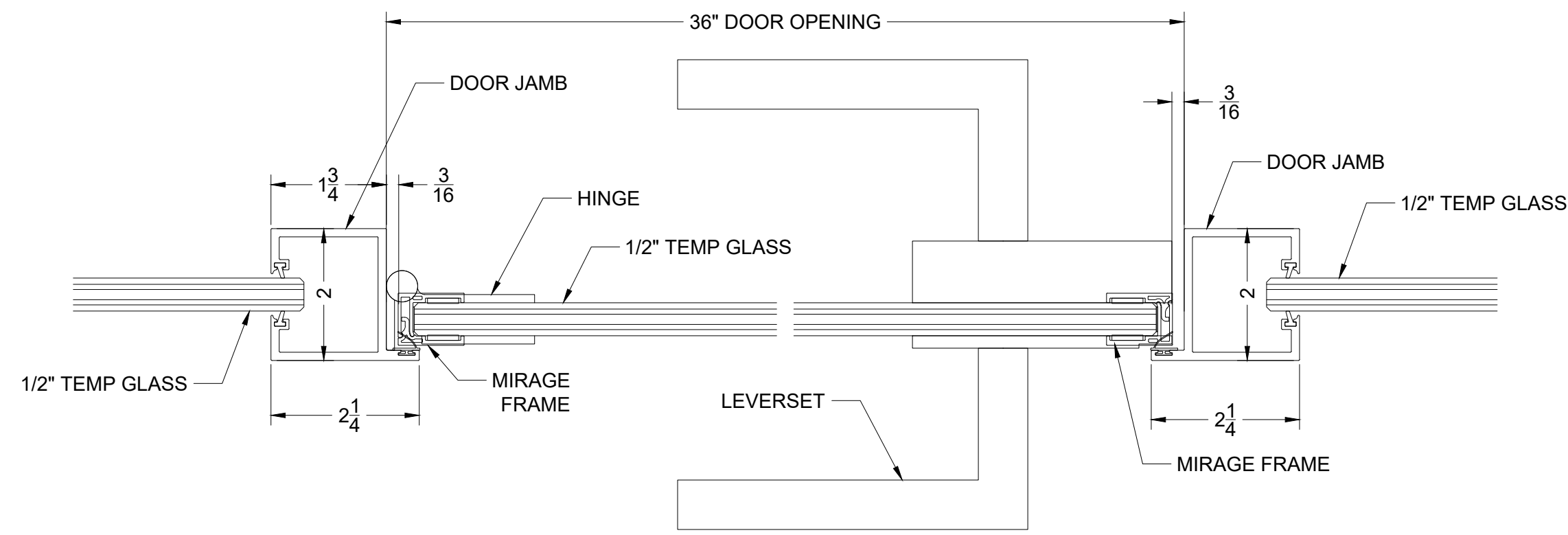
SCALE: 6" = 1'-0"

DRAWING No.

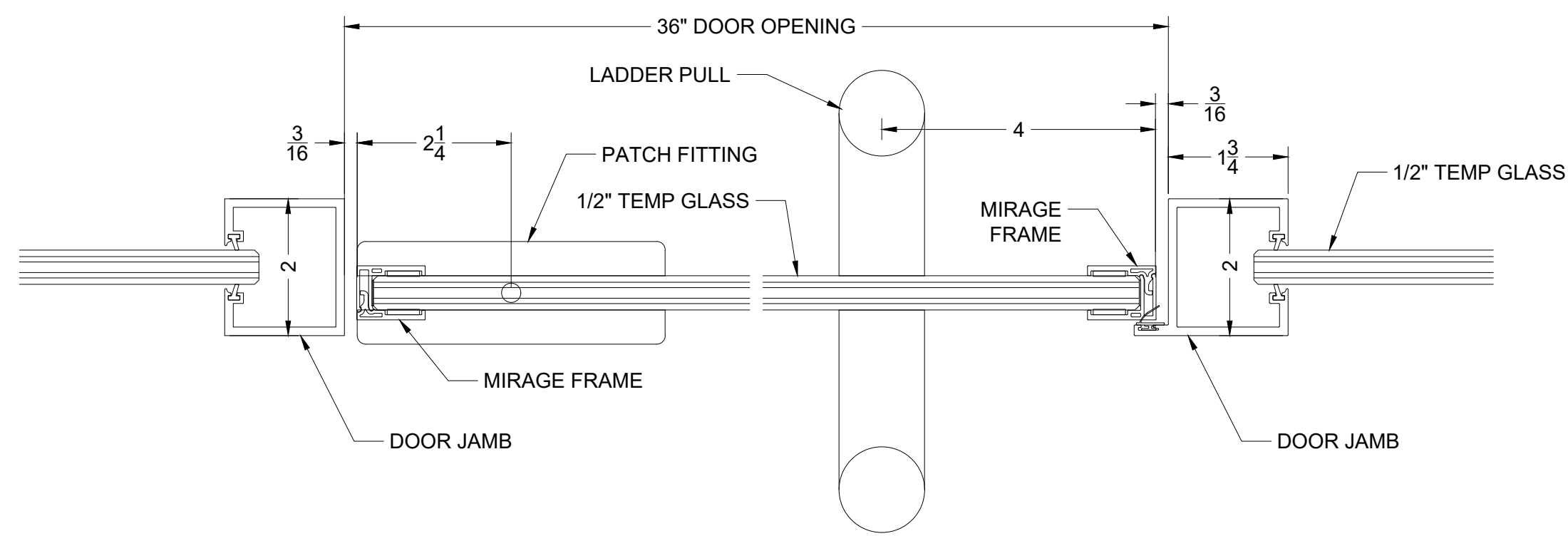
DRAWING TITLE:

DETAILS

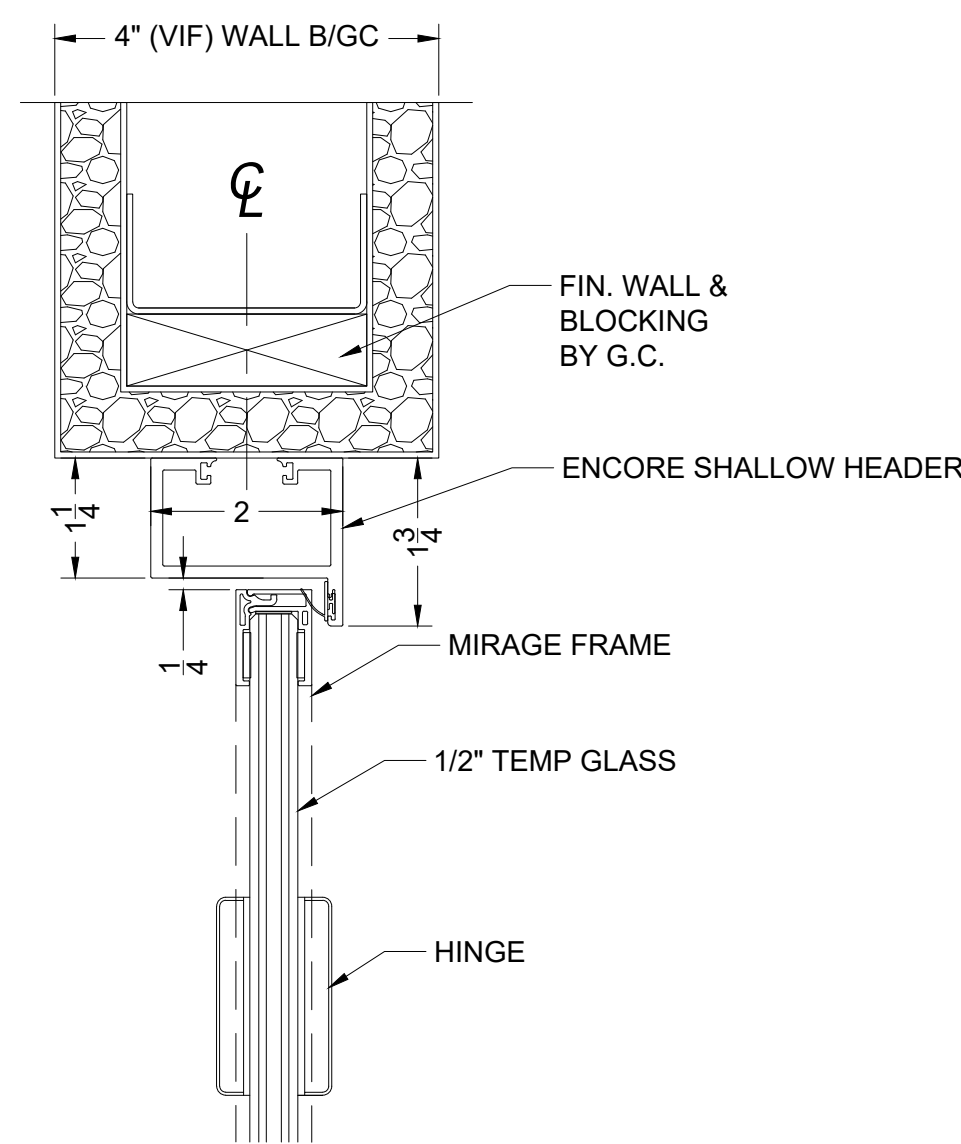
D-4



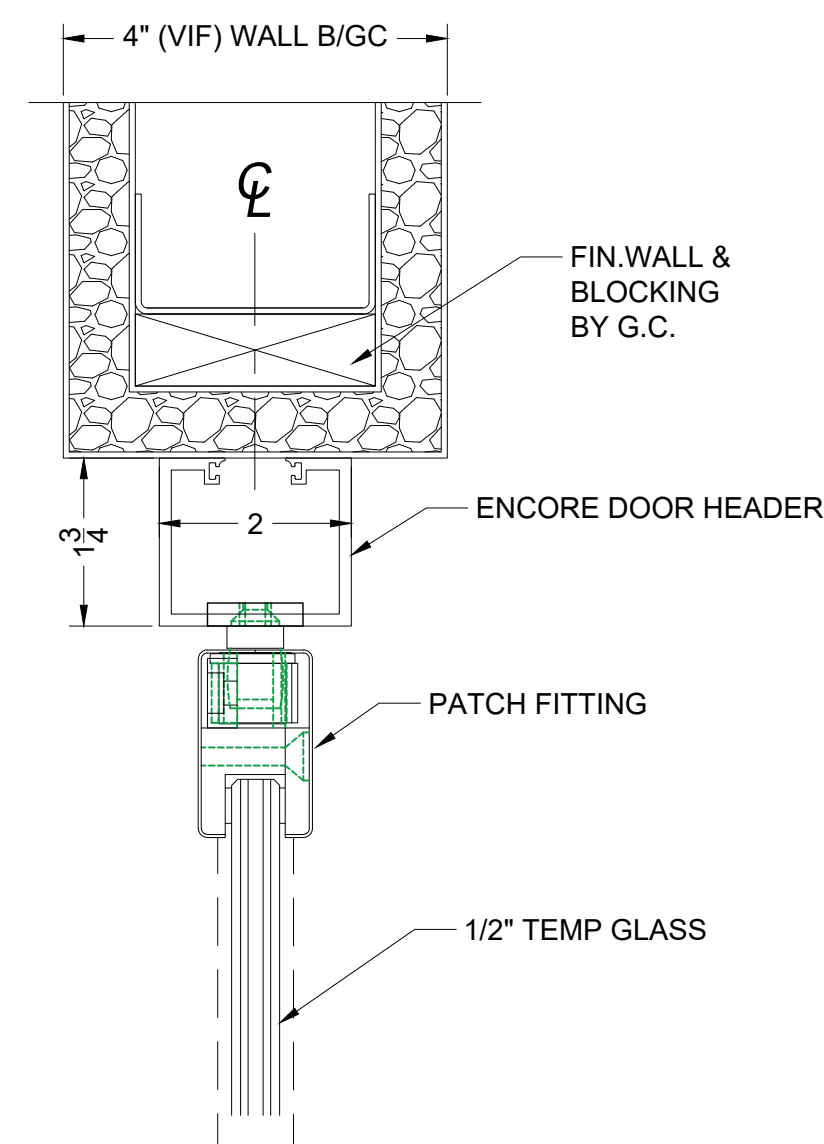
DETAIL@ ENCORE FULL FRAME SWING DOOR **C5**  
6" = 1'-0"



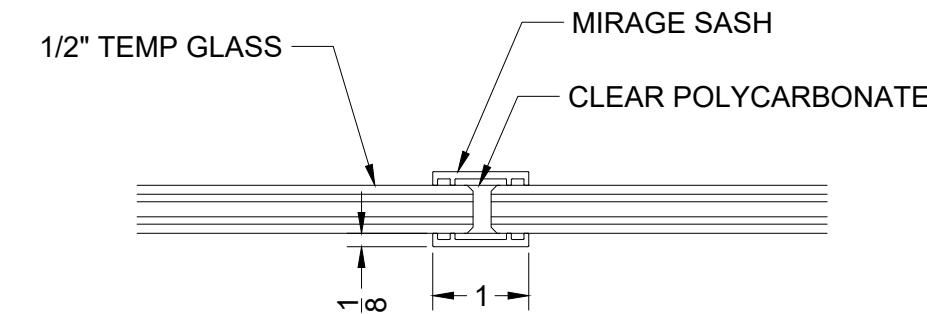
DETAIL@ ENCORE PIVOT DOOR **D5**  
6" = 1'-0"



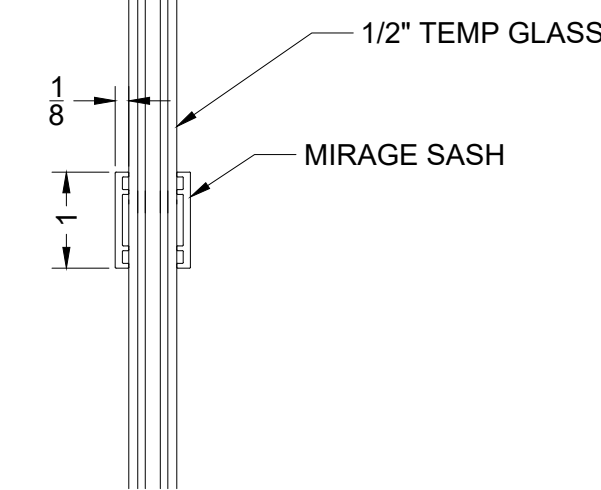
HEAD DETAIL @ SWING DOOR **E5**  
6" = 1'-0"



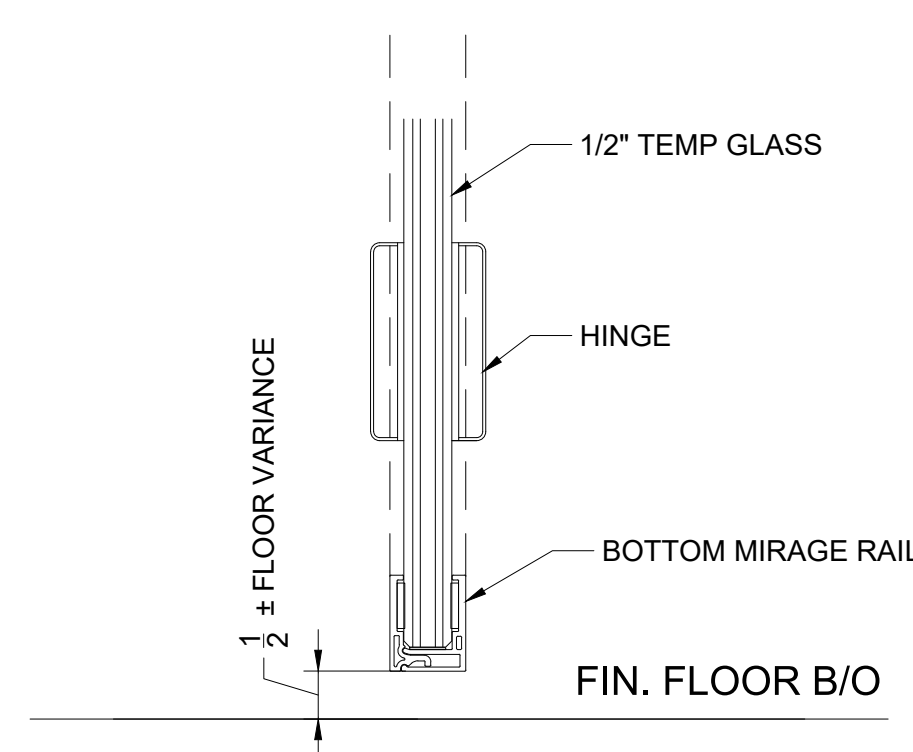
HEAD DETAIL @ SWING DOOR **G5**  
6" = 1'-0"



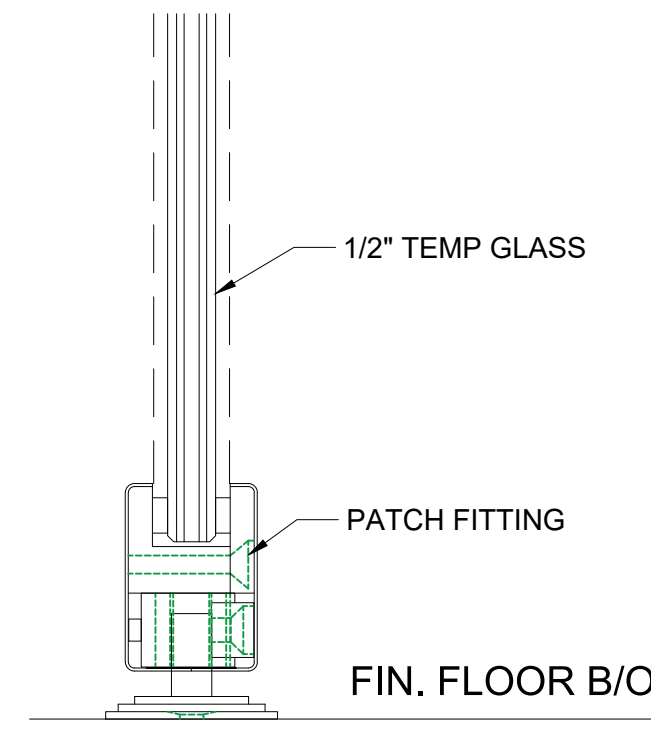
DETAIL@GLASS JOINT **A5**  
6" = 1'-0"



DETAIL@ GLASS & MIRAGE **B5**  
6" = 1'-0"



BOTTOM DETAIL @ SWING DOOR **F6**  
6" = 1'-0"



BOTTOM DETAIL @ SWING DOOR **H5**  
6" = 1'-0"

NOTES:

1. ALL DIMENSIONS ARE TO BE VERIFIED IN FIELD;
2. HEIGHTS MAY VARY ALONG FLOOR BASED ON FIELD CONDITION.
3. G.C. TO PROVIDE BLOCKING AT ALL THE WALL/HEADER WHERE POST/TRACK EXISTS;
4. GLASS TYPES:  
THICKNESS: 3/8", 1/2", 5/8"  
CLEAR TEMPERED  
LOW IRON TEMPERED  
CLEAR LAMINATED  
ACOUSTIC LAMINATED  
LOW IRON LAMINATED
5. FINISHES:  
CLEAR ANODIZED  
BLACK ANODIZED  
POWDER COAT  
BRUSHED SATIN  
MEDIUM BRONZE
6. STD LEAD TIME: 3-5 WEEKS
7. CONTACT: info@tagwallny.com  
estimating@tagwallny.com

**TAGWALL**

321 W. 44TH ST, SUITE 200 NY, NY 10036  
212.354.9255 tagwallny.com

PROJECT:

**SLIMLINE SYSTEM**

DATE: 11/24/2020

SCALE: 6" = 1'-0"

DRAWING No.

DRAWING TITLE:  
**DETAILS**

**D-5**